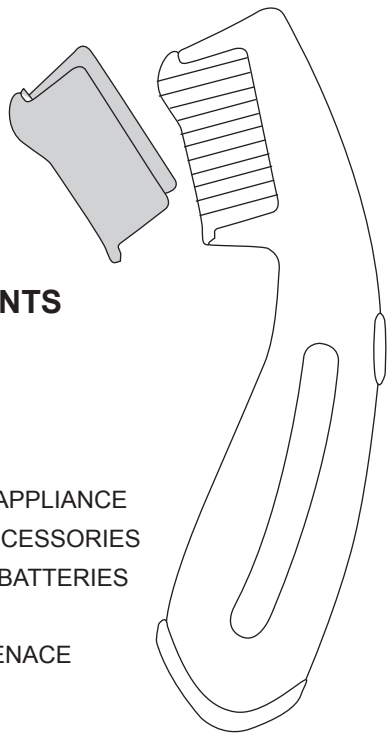


# Electric Lice Comb



## TABLE OF CONTENTS

- \*SAFETY INSTRUCTION
- \*INTRODUCTION
- \*SPECIAL FEATURES
- \*DESCRIPTION OF THE APPLIANCE AND THE SUPPLIED ACCESSORIES
- \*INSTALLATION OF THE BATTERIES
- \*OPERATION
- \*CLEANING AND MAINTENACE
- \*SPECIFICATIONS
- \*WARRANTY

## SAFETY INSTRUCTION

*For your safety, it is recommended that you read this User Guide very carefully, and comply with the following instruction.*

- \*Using the appliance only as intended in accordance with the instructions provided in this guide.
- \*This electric device is not a toy, avoid the reach of child
- \*Children under the age of 3, are not suited for this appliance
- \*Children should be supervised by an adult while using this electric device.
- \*Consult the physician before using this unit, if you have a pace maker, artificial limbs or any electronic implant.
- \*Do not operate this unit close to a mobile telephone, a micro wave oven, or a television set ( away more than 1 meter)
- \*Any persons who suffer from epilepsy or heart disease are not recommended to use this appliance.
- \*Do not use this unit on moisture hair or any undo knots or braids.
- \*Avoid cracked or dry skin, or direct contact with your ears, eyes and mouth.
- \*Avoid the direct exposure of sunlight, and upon any hot surface.
- \*Keep the unit away from moisture, or any liquid.
- \*Do not use the unit, if the housing or comb is damaged, if the unit does not function properly or if it has been emerged by liquid.
- \*Prevent accident or damage to the unit by keeping the unit away from clothing, bristles, wires, strings, shoelaces, threads ect.
- \*Always switch off the unit when not in use
- \*Remove the battery if the appliance is not to be used for extended period.

## INTRODUCTION

Head lice are tiny, wingless insects. When fully grown, they're similar in size to a sesame seed. Because they can't survive the cold, they cling to our hair, keeping close to the warmth of our heads.

Head lice are harmless – though they can cause your child's head to itch. Head lice have been making a nuisance of themselves for thousands of years. Fortunately, getting rid of them nowadays need only take a ten minute treatment time!

The nu-beca electric lice comb is one viable option to consider in the quest of eradicating head lice so they will stop spreading through your family member's hair and scalp. It is certainly no secret that an infestation of lice can make life difficult for everyone in the household, but thanks to modern technology -- an electric lice comb, the process of getting rid of these pests can be just a lot easier.

## SPECIAL FEATURES

nu-beca lice comb uniquely can not only dispel but also efficiently kill head lice and nits by quickly, increasing electrical voltage of 130-180 Volts, which is harmless to human.

Comb activity is indicated by an audible signal, which provides different sounds : one sound per three seconds indicates the functional unit (60-90V) ; the short, sharp buzzer 1 second sound per 0.5 second indicates the contact with the intruder (130-180V).

LED setting in the On/Off switch button : different level of scintillations to distinguish the functions and low battery.

Automatic switch off function

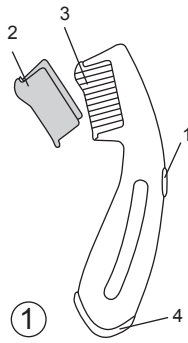
After 5 minutes not in use, the unit will switch off automatically for extending the battery life..

Low battery indication, the unit will detect the battery if the voltage is lower than normal working voltage, LED indicator will glitter twice shorter, once longer quickly; the buzzer will sound continuously for 30 sec. till switching off automatically.

Impeccable design for containing the accessories inside the main appliance, portable and suitable for travel.

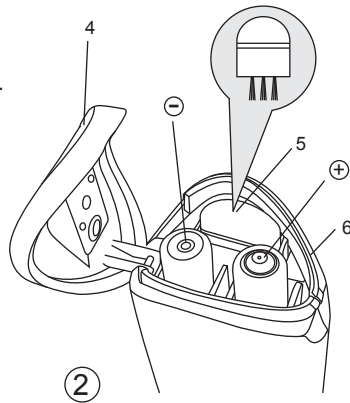
## DESCRIPTION OF THE APPLIANCE AND THE SUPPLIED ACCESSORIES

1. On/Off switch (press button)
2. Protective cover
3. Electric comb
4. Lid of the battery compartment
5. Cleaning brush
6. Battery compartment



## INSTALLATION OF THE BATTERIES

Open the lid protecting the battery by lifting the point "4", the lid connects the housing with one part avoid the concern of missing. Insert two AAA batteries, observe the proper polarity (+/-) of the batteries as indicated on the batteries and on the battery compartment. A polarity error can damage your appliance and compromise the guarantee.



## CLEANING AND MAINTENANCE

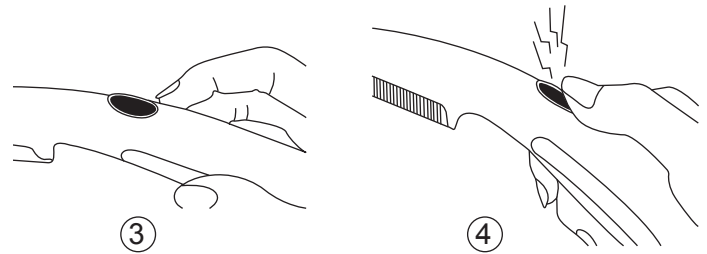
1. Remove the batteries before cleaning the appliance
2. Avoid using any liquid, strong detergents to scrub the unit.
3. For the housing, use a dry, soft paper or fabric cloth to clean.  
For the teeth, use the accessory of cleaning brush.
4. Make sure no water gets into the unit while cleaning, and never immerse the unit in water.
5. The storage should be in a clean, dry and cool, ventilative location.
6. Direct exposure to sunlight will damage the unit

## SPECIFICATIONS

Model name	EL-1001
Power supply	AAA battery x 2
Standby Current	$\geq 30\mu\text{A}$
Full Current	$\geq 30\text{mA}$
Export Voltage	30~180 V
Consumption	$\geq 35\text{mA}$ during use
Battery life	Eight hour in continuous use
Auto switch off	Yes
Dimension	177 x 34 x 39 mm
Weight	200g
Certificate	CE, RoHS

## OPERATION

1. Press the On/Off switch button "1", maintain two sec. to operate the appliance.  
LED indicator on, buzzer will hum three seconds to indicate operation.
2. Use the appliance as normal comb. Please use the unit on dry hair. Undo the knots or braids before using the unit.
3. While operating the unit, LED lights will be on and also the buzzer will sound once every three sec.
4. The buzzer will have a short and quick humming sound, LED indicator flashes quickly when the teeth come in contact a louse or egg.
  - 4-1. The voltage will kill the louse and eggs.
  - 4-2. Be sure to clean the comb with the cleaning brush thoroughly after every usage.
5. After use, remember to switch off the unit and clean the comb with the cleaning brush thoroughly, put the protective cap "2" back on the unit while the storage.



## WARRANTY

*Please contact your dealer or the service center in case of a claim under the warranty.*

The following warranty terms apply:

1. The warranty period for nu-beca products is 1 Year from the date of producing. In case of a warranty claim, make sure the production date before the usage, if the production date is expired or closed to expired, please contact your dealer or service center.
2. Defect in material or workmanship will be removed free of charge within the warranty period.
3. Repairs under the warranty do not extend the warranty period either for the unit or for the replacement parts.
4. The following is excluded under the warranty:
  - a. Damages caused by improper use, not follows the user instructions.
  - b. Damages caused by the repairs or tampering by the consumer or unauthorized third parties.
  - c. Accessories which are damaged by wear and tear